

Lightweight Tool for Speed Fastening® Systems

07537 Model

Features

- Ergonomic design, lightweight tool
- Intensifier made integral to the hand tool
- Can be suspended (optional)
- Use hydraulic for placing fasteners (reduced shock loads)
- Utilizes standard 753 nose equipment
- Can place the same range of fasteners as 7530 tool
- Specially toughened plastic body and heavy duty rubber base
- Integral cycle counter

Benefits

- Reduced operator fatigue, increased productivity
- No need for long umbilical
- Reduced setting time
- Ease of maintenance
- Increased impact resistance and durability

Specifications

| | |
|---------------------------|-----------------------|
| Weight | 2.2kg (4.85lbs) |
| Pull Force | 3.89kN (875lbf) |
| Stroke | 30mm (1.18ins) |
| Cycle Time | 1.0 sec |
| Air Supply Press. | 5 – 7 bar |
| Free Air Volume @ 5,1 bar | 2.6 litres |
| Noise Level | < 70 dB(A) |
| Vibration | < 2.5m/s ² |
| Cycle counter | Yes |
| Intensification ratio | 37:1 |

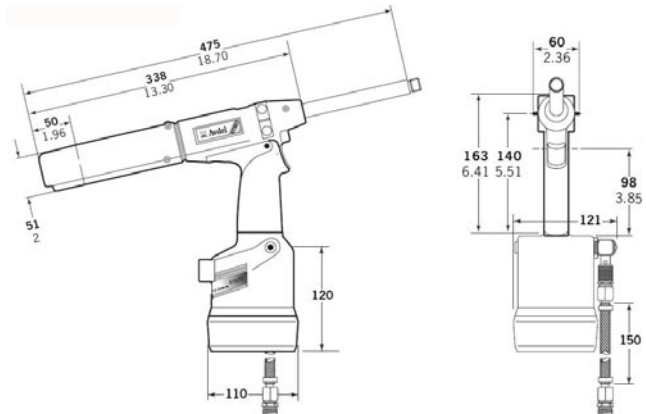
Placing capability

The 07537 placing tool can place the whole range of Speed Fastening® fasteners from diameter 3/32" (2.4mm) to 1/4" (6.4 mm).

For detailed information on placing capability and nose equipment please refer to the tool manual on our website www.avdel-global.com or contact your local Avdel representative.



Dimensions (mm/inches)



An Acument™ Global Technologies Company

www.avdel-global.com

Avdel UK Limited
Pacific House, 2 Swiftfields
Welwyn Garden City, Hertfordshire AL7 1LY
Tel. +44 (0)1707 292-000 · Fax -199
enquiries@acument.com

© 2007 Acument Intellectual Properties, LLC

Speed Fastening® is a trademark of Acument Intellectual Properties, LLC

02a.2007

Data shown is subject to change without prior notice as a result of continuous product development and improvement policy.
Your local Avdel representative is at your disposal should you need to confirm latest information.