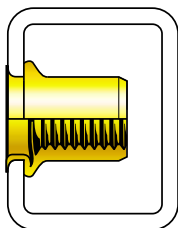


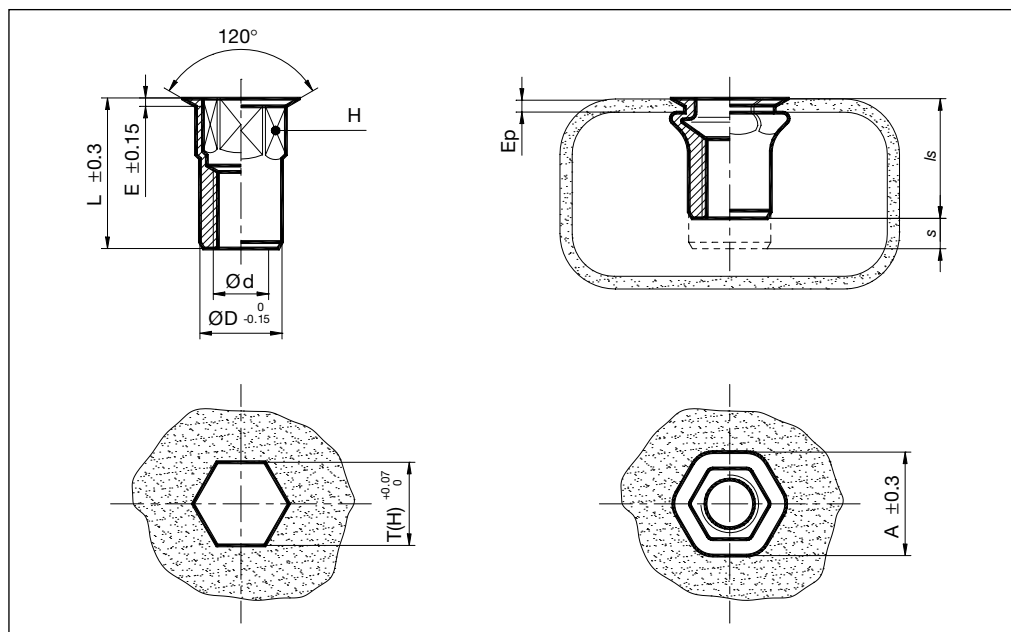
CLUFIX



H.f.O..

STAINLESS STEEL

Blind nut



- Flush head
- Body: Hexagonal open shape
- Material: Stainless steel

Thread Ø d	Code	Thickness Ep	H	T(H) hex hole	A	L	E	Ø D	Designation
M 3 x 0,50	GGI03AH11	0,0 - 1,1	5,0	5,0	5,8	6,7	0,3	5,0	H 3fO11 STAINLESS STEEL
	GGI03AH23	1,0 - 2,3				7,9			H 3fO23 STAINLESS STEEL
	GGI03AH32	2,0 - 3,2				9,1			H 3fO32 STAINLESS STEEL
M 4 x 0,70	GGI04AH13	0,0 - 1,3	6,0	6,0	6,8	8,4	0,3	6,0	H 4fO13 STAINLESS STEEL
	GGI04AH30	1,0 - 3,0				10,0			H 4fO30 STAINLESS STEEL
	GGI04AH42	2,5 - 4,2				11,6			H 4fO42 STAINLESS STEEL
M 5 x 0,80	GGI05AH15	0,0 - 1,5	7,0	7,0	8,0	9,6	0,4	7,0	H 5fO15 STAINLESS STEEL
	GGI05AH25	1,0 - 2,5				10,6			H 5fO25 STAINLESS STEEL
	GGI05AH35	1,0 - 3,5				11,6			H 5fO35 STAINLESS STEEL
M 6 x 1,00	GGI06AH15	0,0 - 1,5	9,0	9,0	10,0	11,9	0,4	9,0	H 6fO15 STAINLESS STEEL
	GGI06AH35	1,0 - 3,5				13,9			H 6fO35 STAINLESS STEEL
M 8 x 1,25	GGI08AH18	0,0 - 1,8	11,0	11,0	12,0	14,1	0,4	11,0	H 8fO18 STAINLESS STEEL
	GGI08AH50	1,5 - 5,0				17,4			H 8fO50 STAINLESS STEEL
M10 x 1,50	GGI10AH32	0,0 - 3,2	13,0	13,0	14,4	19,0	0,5	13,0	H10fO32 STAINLESS STEEL
	GGI10AH55	2,5 - 5,5				21,4			H10fO55 STAINLESS STEEL
M12 x 1,75	GGI12AH42	0,0 - 4,2	16,0	16,0	17,4	22,5	0,5	16,0	H12fO42 STAINLESS STEEL
	GGI12AH76	4,0 - 7,6				26,1			H12fO76 STAINLESS STEEL

Is / s after test according to: - thickness
- Ø hole
- material

All the parts are not always in stock.
Other forms and characteristics, please ask.

Unit: mm

LA
CLUSIENNE

CLUFIX - FASTENERS

313, RUE LOUIS ARMAND - ZI DES GRANDS PRÉS - BP 220 - 74304 CLUSES CEDEX - FRANCE
TEL.: (33) 04 50 98 13 13 - FAX: (33) 04 50 98 28 89 - E-MAIL: commercial@clufix.com

November, 2003
Specifications subject to change without prior notice