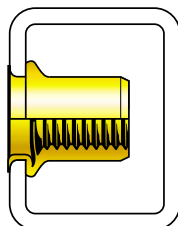


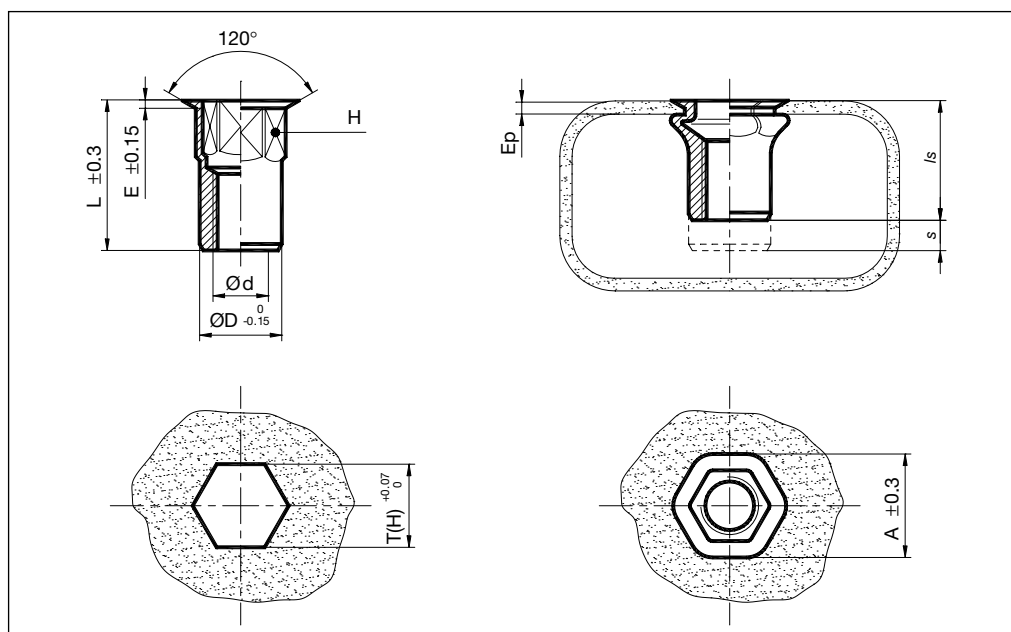
CLUFIX



H.f.o..

STEEL

Blind nut



- Flush head
- Body: Hexagonal open shape
- Material: Steel coating zinc. yellow

Thread Ø d	Code	Thickness Ep	H	T(H) hex hole	A	L	E	Ø D	Designation
M 3 x 0,50	GGA03AH11J	0,0 - 1,1	5,0	5,0	5,8	7,2	0,3	5,0	H 3fO11 STEEL
	GGA03AH23J	1,0 - 2,3							H 3fO23 STEEL
	GGA03AH32J	2,0 - 3,2							H 3fO32 STEEL
M 4 x 0,70	GGA04AH13J	0,0 - 1,3	6,0	6,0	6,8	9,4	0,3	6,0	H 4fO13 STEEL
	GGA04AH30J	1,0 - 3,0							H 4fO30 STEEL
	GGA04AH42J	2,5 - 4,2							H 4fO42 STEEL
	GGA04AH55J	3,7 - 5,5							H 4fO55 STEEL
M 5 x 0,80	GGA05AH15J	0,0 - 1,5	7,0	7,0	8,0	10,8	0,4	7,0	H 5fO15 STEEL
	GGA05AH35J	1,0 - 3,5							H 5fO35 STEEL
	GGA05AH55J	3,5 - 5,5							H 5fO55 STEEL
	GGA06AH15J	0,0 - 1,5							9,0
GGA06AH35J	1,0 - 3,5	H 6fO35 STEEL							
GGA06AH45J	2,0 - 4,5	H 6fO45 STEEL							
M 8 x 1,25	GGA08AH18J	0,0 - 1,8	11,0	11,0	12,0	14,5	0,4	11,0	H 8fO18 STEEL
	GGA08AH50J	1,5 - 5,0							H 8fO50 STEEL
M10 x 1,50	GGA10AH32J	0,0 - 3,2	13,0	13,0	14,4	20,7	0,5	13,0	H10fO32 STEEL
	GGA10AH55J	2,5 - 5,5							H10fO55 STEEL
M12 x 1,75	GGA12AH42J	0,0 - 4,2	16,0	16,0	17,4	24,1	0,5	16,0	H12fO42 STEEL
	GGA12AH76J	4,0 - 7,6							H12fO76 STEEL

Is / s after test according to: - thickness
- Ø hole
- material

All the parts are not always in stock.
Other forms and characteristics, please ask.

Unit: mm

LA
CLUSIENNE

CLUFIX - FASTENERS

313, RUE LOUIS ARMAND - ZI DES GRANDS PRÉS - BP 220 - 74304 CLUSES CEDEX - FRANCE
TEL.: (33) 04 50 98 13 13 - FAX: (33) 04 50 98 28 89 - E-MAIL: commercial@clufix.com

November, 2003
Specifications subject to change without prior notice